

OPERATION AND INSTRUCTION MANUAL

GRANITA MACHINE

Models:

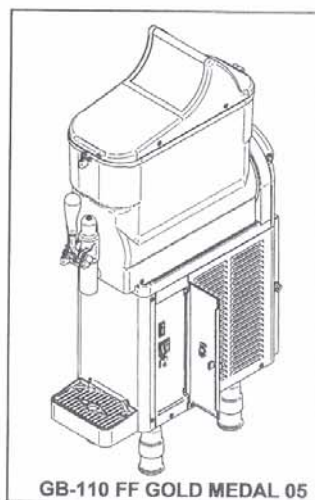
Ref.: SL900491237

GB - 110 FF GOLD MEDAL 05

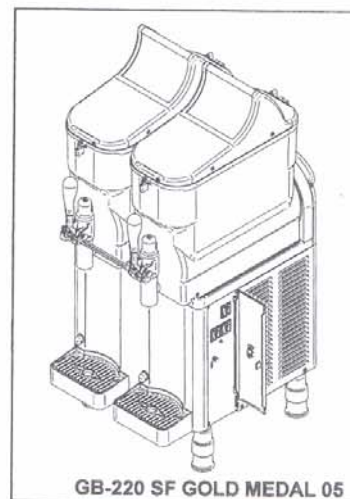
Ref.: SL900491238

GB - 220 SF GOLD MEDAL 05

115 V. - 60 Hz.



GB-110 FF GOLD MEDAL 05



GB-220 SF GOLD MEDAL 05

Aladdin Rents
35761 Curtis Blvd
Eastlake, OH 44095
440-942-4100

REVISION V.01

26-01-2006

HOW TO OPERATE

1. Once the bowl has been cleaned, fill the tank with the desired liquid product (3 gallons). Do not overfill the tank. **NOTE THAT WHEN READY, SLUSH OCCUPIES MORE VOLUME THAN THE LIQUID (approximately 3.5 gallons of slush).** Be sure to consider product ratio (not exceeding 3 gallons total mix for slush) before mixing or pouring product into tank. IN ORDER TO KEEP YOUR MACHINE IN GOOD WORKING CONDITION KEEP YOUR MACHINE FULL.

2. If using natural products as a base (coffee, lemon juice, orange juice, etc.), it is required that 5 to 7 oz. of sugar per gallon be added. Follow the dilution instructions on the bottle. In general the mix ratio of the product solution shouldn't be less than 12.

3. To operate, press main power switch and agitator switch to ON position (Figure 2). **NOTE: The agitator switch must be to ON position before setting to liquid or slush mode.**

3.1 For slush, press the cooler switch to bottom position (II / *).

3.2 For liquid, press the cooler switch to up position (I / ☼). If the machine is being used as a liquid cooler, it is provided with an inside thermostat for controlling the liquid temperature.

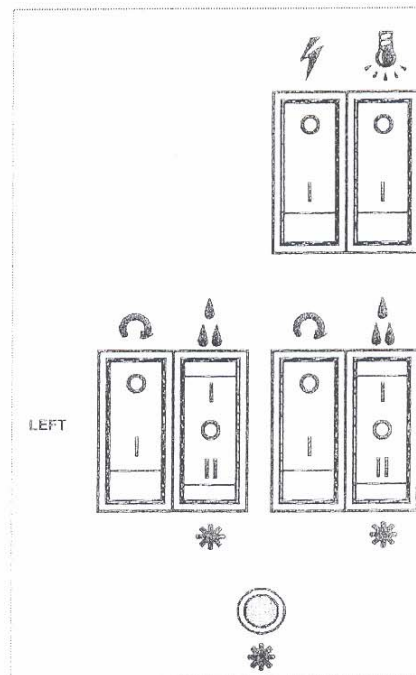
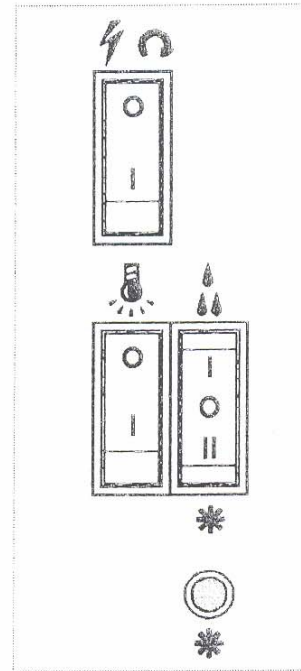
Note that your machine is equipped with a time delay relay that provides for a four minute delay from the time of the initial start. This is to prevent the compressor from short cycling. Once the compressor is ON, the green light will be on.

Note: The cooler switch is a three position switch and in order to have the compressor off, all the cooler switches need to be in the middle position.

4. To illuminate the transparency on top of the unit and the product in the bowl press the display light switch to down position (I / ☼).

CAUTION: IF THE MACHINE IS STOPPED AT NIGHT WITH ICE IN THE TANK, REMOVE ALL ICE SLABS BEFORE STARTING.

1 bowl



2 bowls

Figure 2

LIQUID DENSITY ADJUSTEMENT

To adjust the density/consistency of the slush there is an adjustment knob (**Figure 3, #2**) at the rear, right corner of the dispenser (**#1**).

Turn the knob right (clockwise) or left (counter clockwise) (**arrow C and B**). The consistency indicator (**#4**) will go up or down (**arrow D and E**)

To firm up the product, turn the set knob counter clockwise, which will move the indicator down to a higher number position

To soften / warm up the product, turn the set knob clockwise, which will move the indicator up to a lower number position

NOTE: when using a new product, or on initial start up, it is recommended that you set the consistency indicator to the lowest/warmest setting and increase as desired. Please note that the machines are pre-set at the factory at a medium setting (number 2.5)

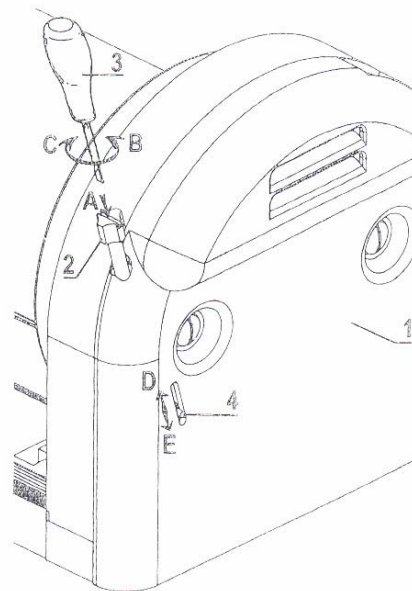


Figure 3